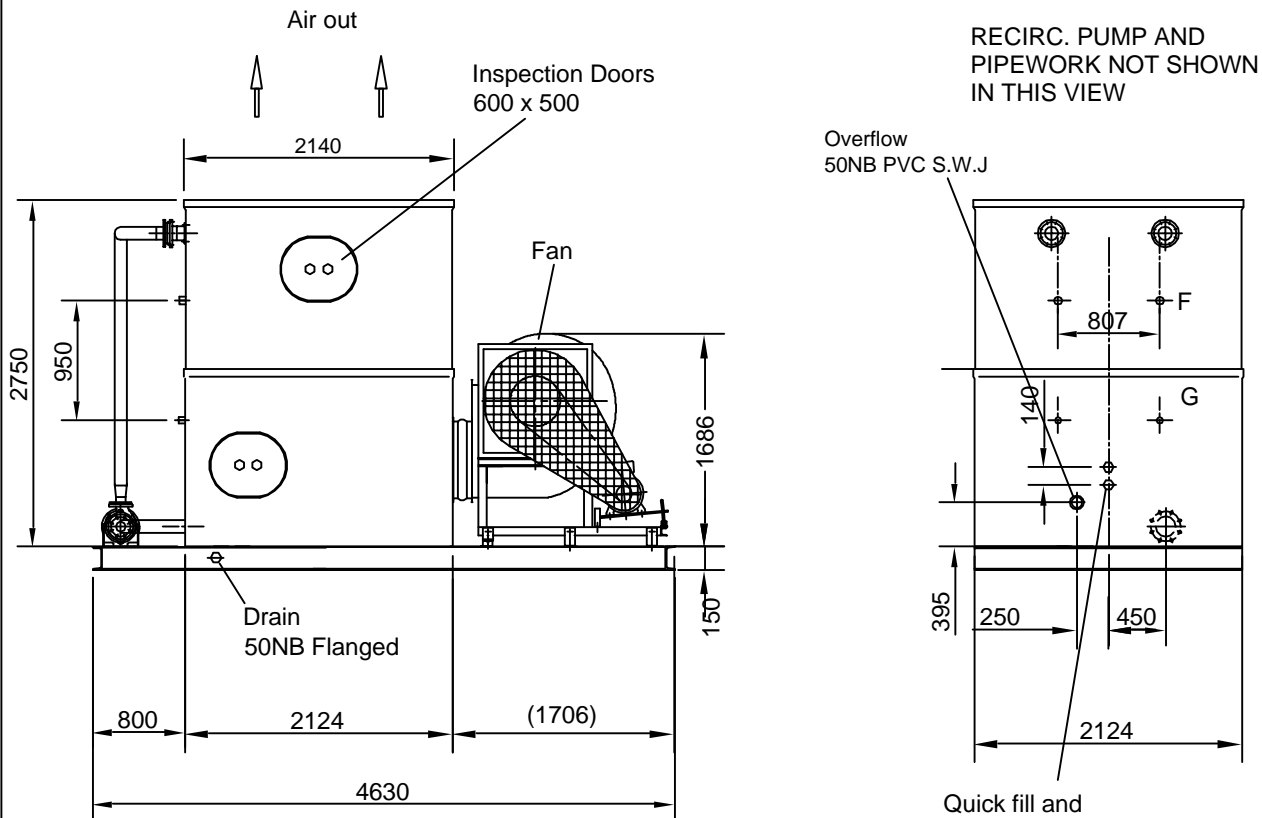




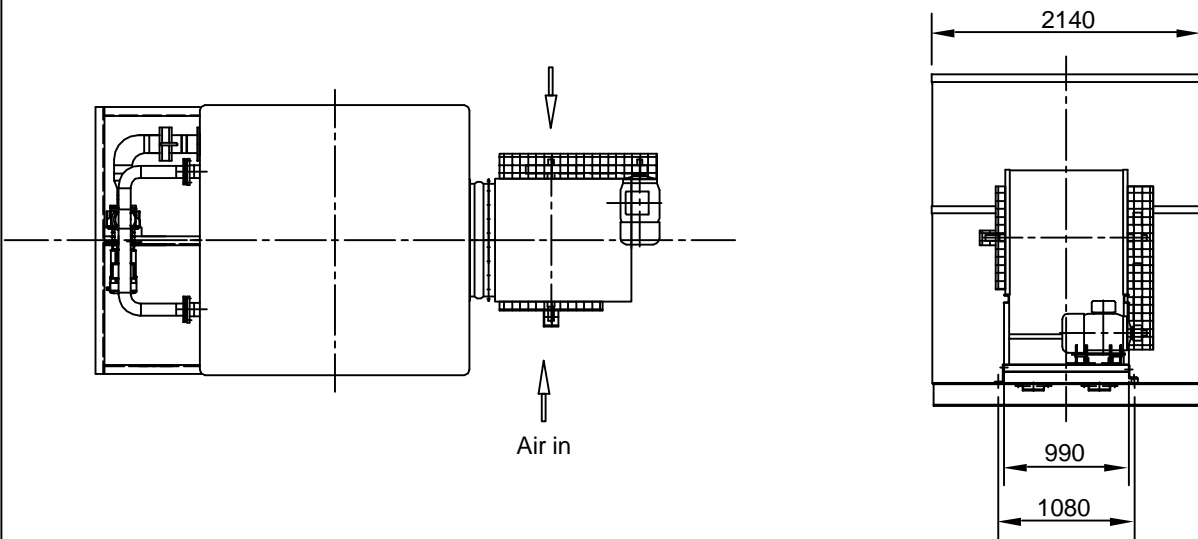
SUPERCHILL Closed Circuit Cooling Tower



EWK-DC 450/5 DIMENSION SHEET



F (IN) - 80NB BSP(f) X 2
 G (OUT) - 80NB BSP(f) X 2



	Weight in kg			Water volume m ³ /h	Spray water outlet TABLE "E"
	Empty	Operating	Max		
Cooling tower total	3000	5500	6000	64.8	1x150NB

All flanged connections and cut outs as per AS. 2129 Table "E"
 Tolerances of overall and connection dimensions ±10mm;

SUPERCHILL AUSTRALIA PTY LTD
 256 Princes HWY Dandenong 3175
 Technical changes may occur without notifications